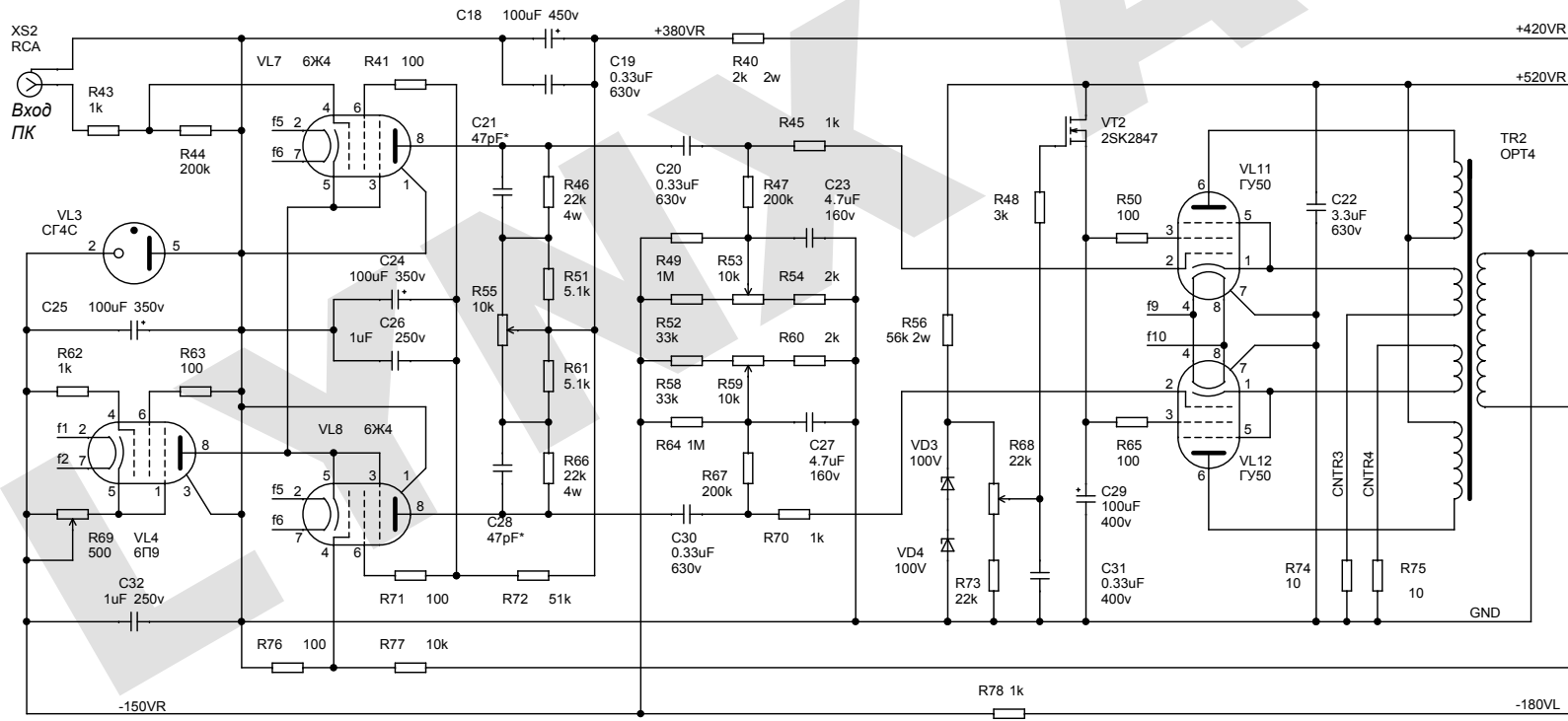
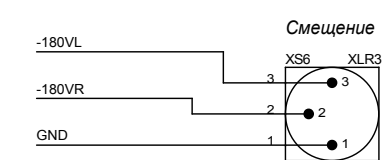
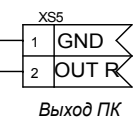
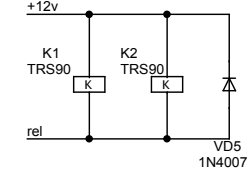
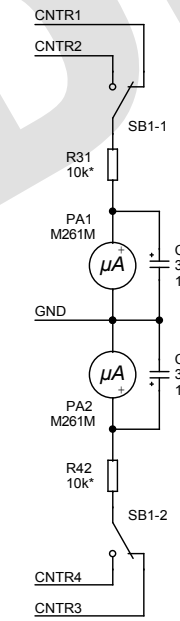
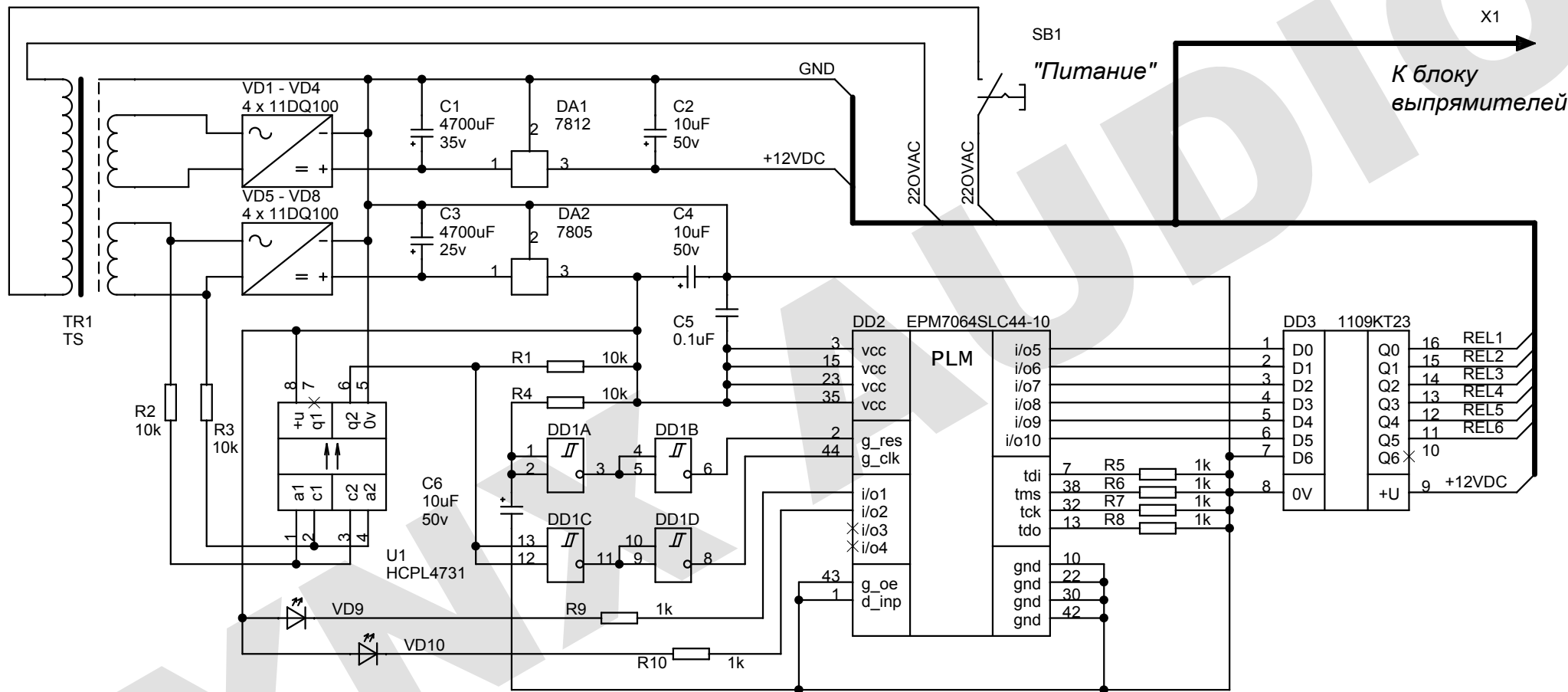


f1	1	XP1	DB25
f2	2	1	+6.3VDC1
f3	3	2	-6.3VDC1
f4	4	3	+6.3VDC2
f5	5	4	-6.3VDC2
f6	6	5	+6.3VDC3
f7	7	6	-6.3VDC3
f8	8	7	12.6VAC1
f9	9	8	12.6VAC2
f10	10	9	12.6VAC3
+12v	11	10	12.6VAC4
rel	12	11	+12VDC
GND	13	12	общ. выхода
CNTR1	14	13	общ. серво
CNTR2	15	14	контр la1
CNTR3	16	15	контр la2
CNTR4	17	16	контр la3
	18	17	контр la4
	19	18	
	20	19	
	21	20	
	22	21	
	23	22	
	24	23	
	25	24	
	25	25	





X1
К блоку выпрямителей

SB1
"Питание"

220VAC

220VAC

+12VDC

GND

TR1
TS

R2
10k

R3
10k

R1
10k

R4
10k

R9
1k

R10
1k

C6
10uF
50v

U1
HCPL4731

VD9

VD10

VD1 - VD4
4 x 11DQ100

VD5 - VD8
4 x 11DQ100

C1
4700uF
35v

C3
4700uF
25v

C2
10uF
50v

C4
10uF
50v

C5
0.1uF

DA1
7812

DA2
7805

DD2 EPM7064SLC44-10

PLM

DD3 1109KT23

16	REL1
15	REL2
14	REL3
13	REL4
12	REL5
11	REL6
10	
9	+12VDC
8	
7	
6	
5	
4	
3	
2	
1	

i/o5

i/o6

i/o7

i/o8

i/o9

i/o10

gnd

gnd

gnd

gnd

gnd

gnd

gnd

gnd

gnd

gnd

gnd

gnd

gnd

gnd