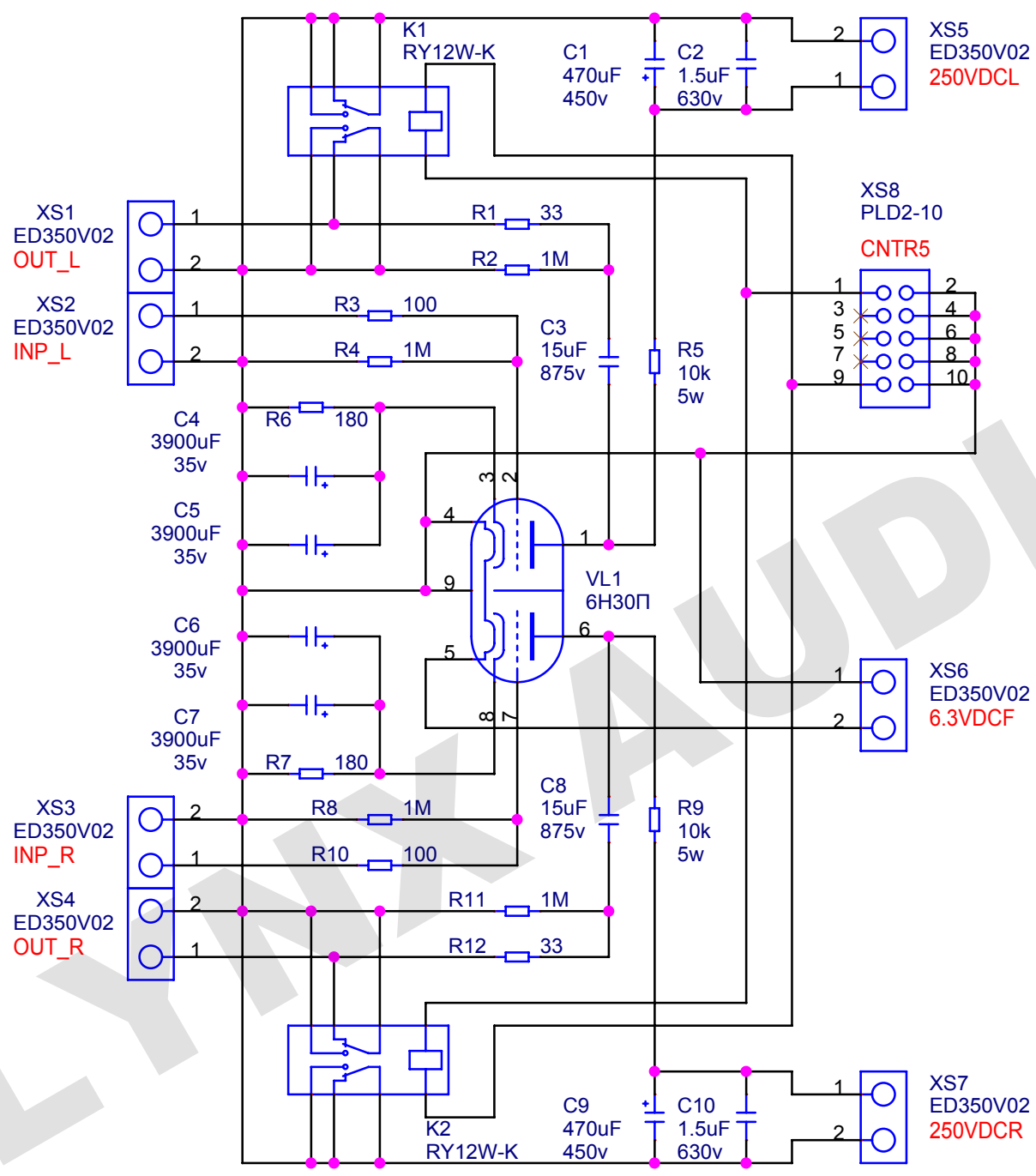


Lynx Audio Engineering Department		
Аттенюатор Lynx AT41		
Title		
Size	Document Number 781	Rev 5
Date:	Saturday, February 14, 2009	Sheet 1 of 1



Lynx Audio Engineering Department

Title **Каскад усиления Lynx A41**

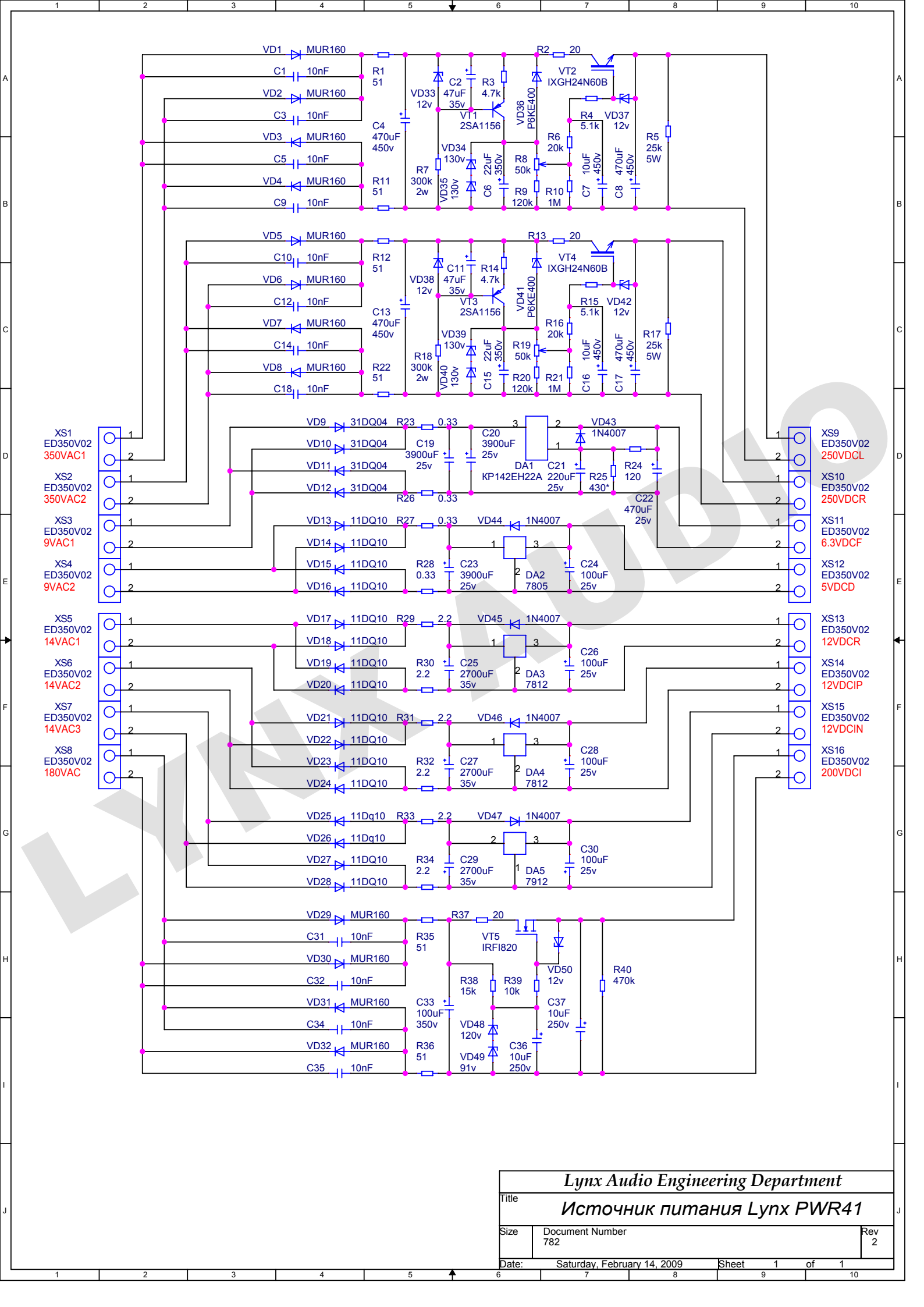
Size

Document Number 783

Rev 3

Date: Saturday, February 14, 2009

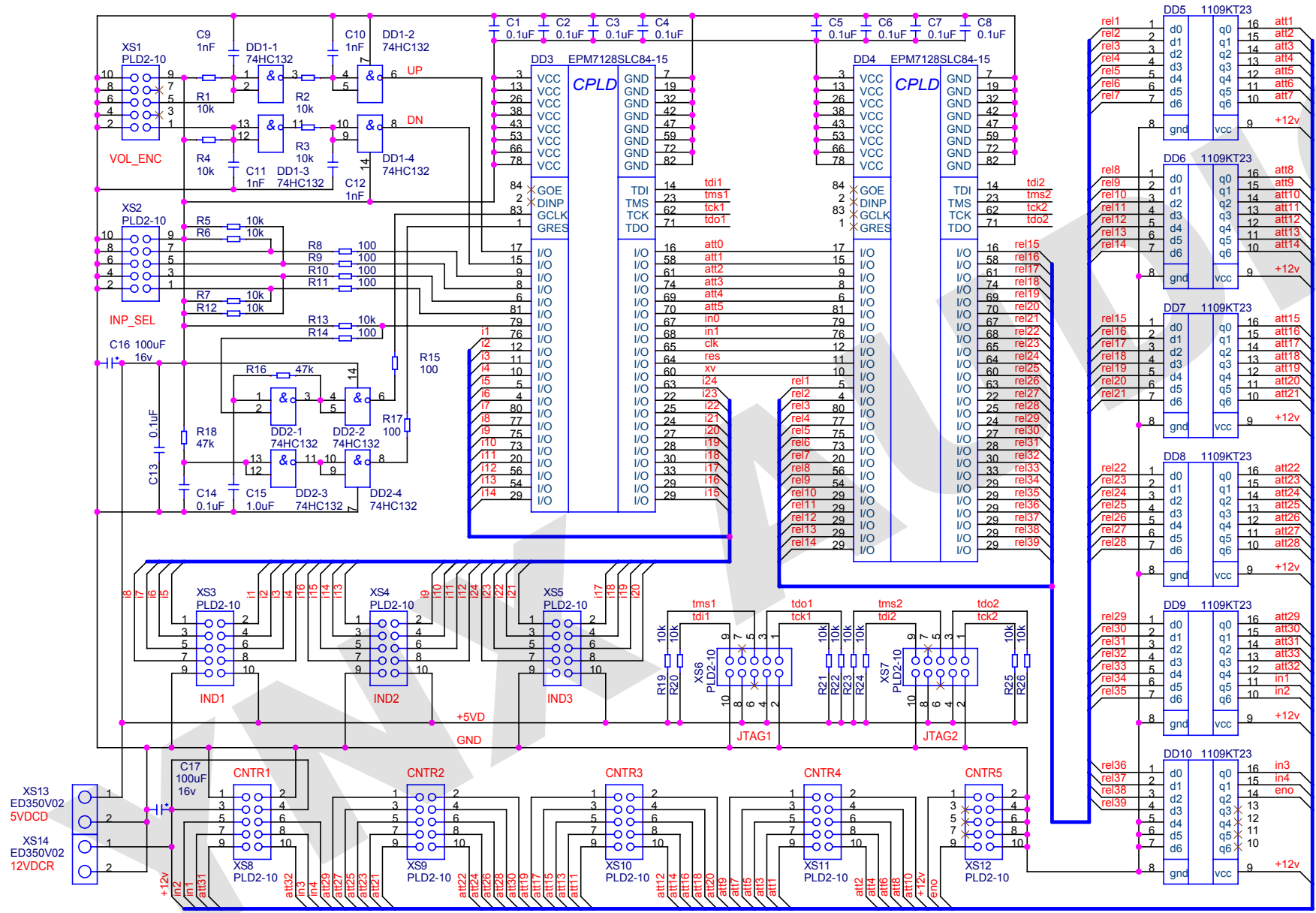
Sheet 1 of 1



- XS1 ED350V02 350VAC1
- XS2 ED350V02 350VAC2
- XS3 ED350V02 9VAC1
- XS4 ED350V02 9VAC2
- XS5 ED350V02 14VAC1
- XS6 ED350V02 14VAC2
- XS7 ED350V02 14VAC3
- XS8 ED350V02 180VAC

- XS9 ED350V02 250VDC
- XS10 ED350V02 250VDCR
- XS11 ED350V02 6.3VDCF
- XS12 ED350V02 5VDCD
- XS13 ED350V02 12VDCR
- XS14 ED350V02 12VDCIP
- XS15 ED350V02 12VDCIN
- XS16 ED350V02 200VDCI

Lynx Audio Engineering Department		
Title Источник питания Lynx PWR41		
Size	Document Number 782	Rev 2
Date:	Saturday, February 14, 2009	Sheet 1 of 1

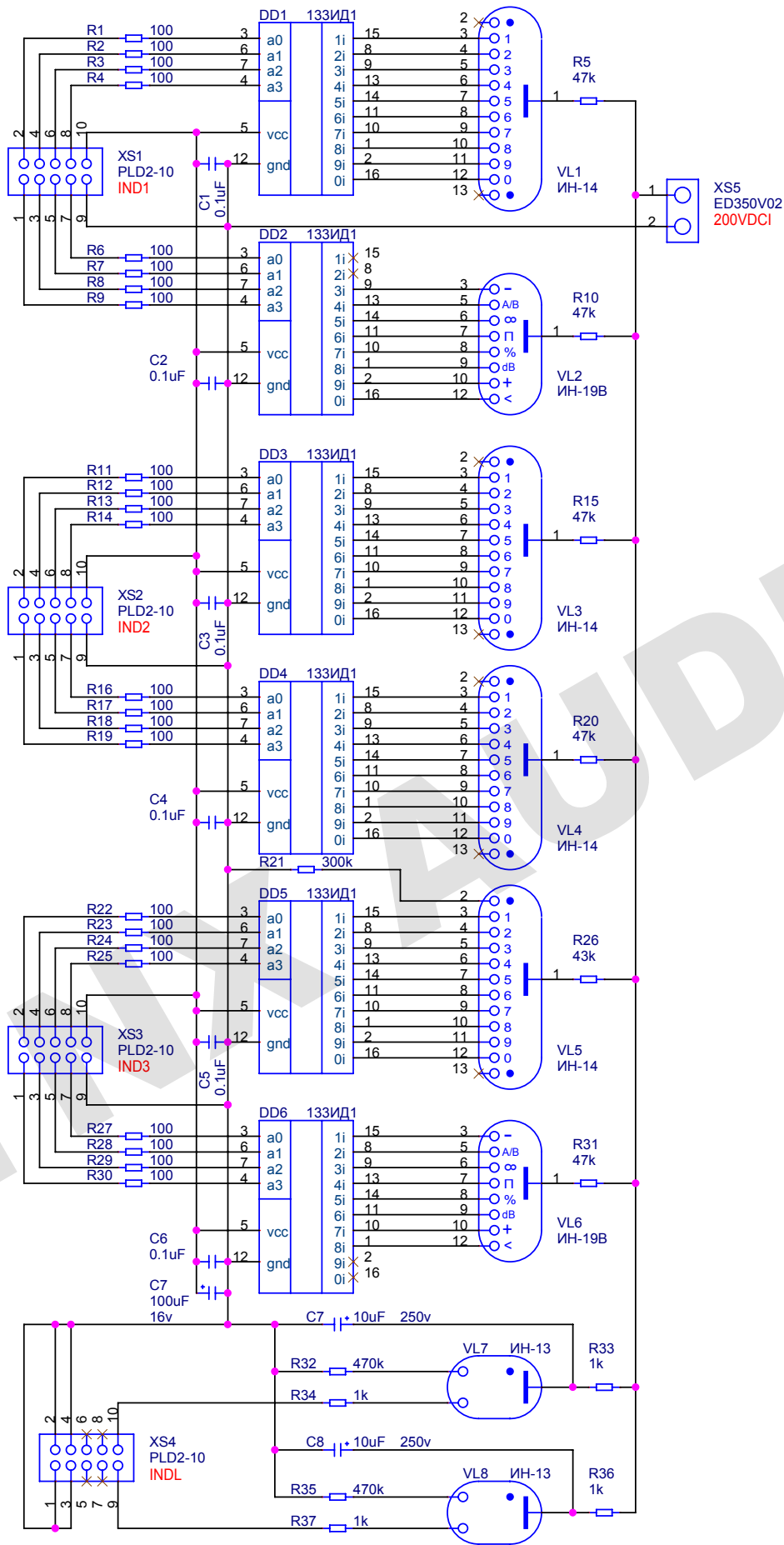


Lynx Audio Engineering Department

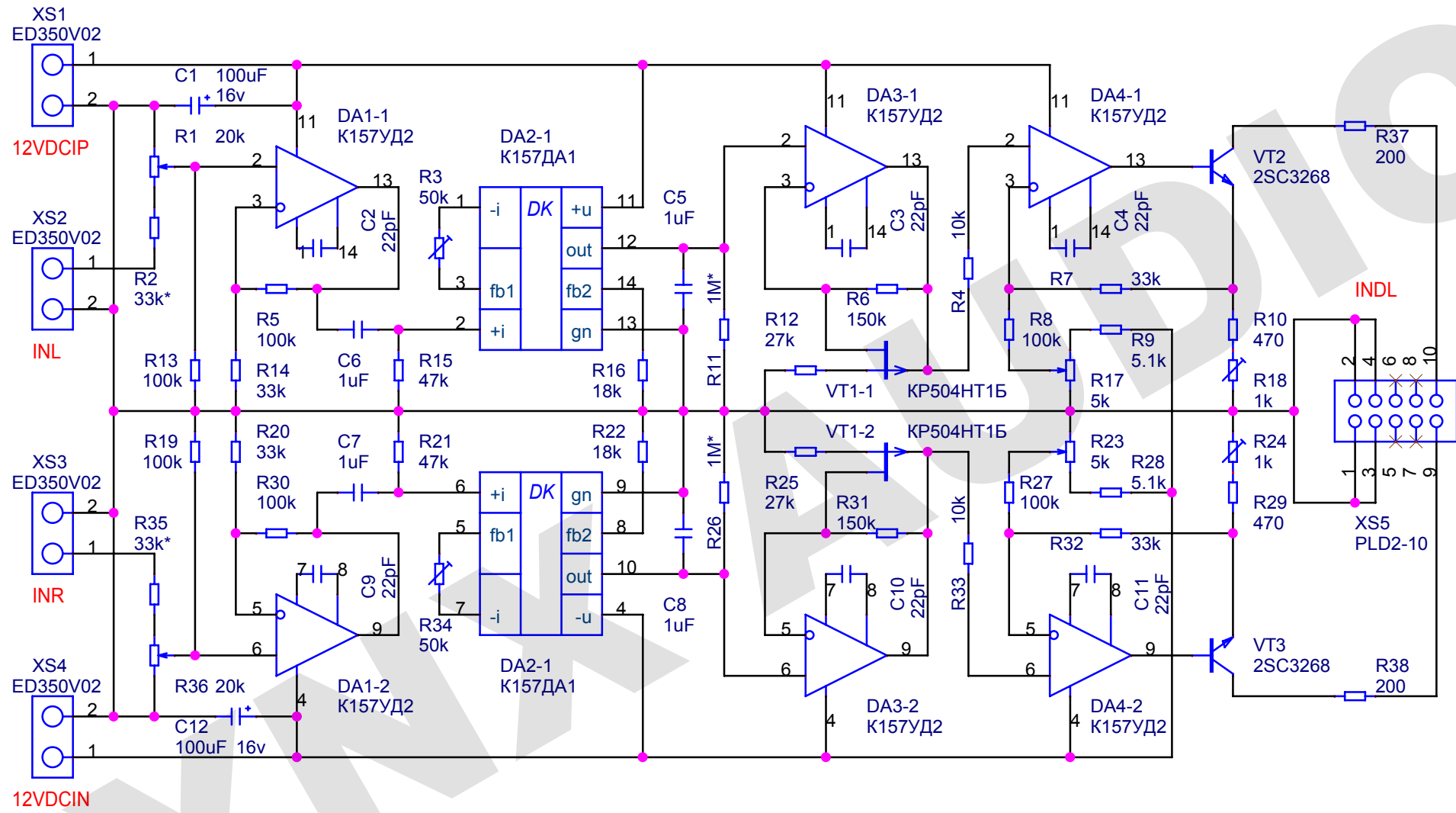
Title Устройство управления Lynx CNTR41

Size Document Number 801 Rev 2

Date: Saturday, February 14, 2009 Sheet 1 of 1



Lynx Audio Engineering Department		
Title Блок индикации Lynx DIS41		
Size	Document Number 792	Rev 1
Date:	Saturday, February 14, 2009	Sheet 1 of 1



Lynx Audio Engineering Department		
Title Блок преобразователей индикации Lynx IND41		
Size	Document Number 804	Rev 2
Date:	Sunday, February 15, 2009	Sheet 1 of 1